



madebyzen™
— ENGLAND —

AURA

Ceramic Aroma Diffuser

Create a cool, scented and relaxing mist

TABLE OF CONTENTS:

A. About the Aura

B. Specification

C. Operating Procedure

D. Maintenance

E. Troubleshooting

Congratulations on your purchase of the madebyzen™ Aura Aroma Diffuser. Please keep this manual for further reference and maintenance.

ABOUT THE AURA

The Aura is part of the stunning range of madebyzen™ Ultrasonic Aroma Diffusers.

The Aura combines cutting edge technology with modern design to create a visually stimulating and beautiful diffuser, perfect for enriching your environment with a cool, scented, relaxing and magical mist.

Ultrasonic technology is used to break up tap water and fragrance or essential oil into micro particles.

These are diffused into the air in the form of a fine fountain of mist and fragrance, which will awaken the senses and calm the mind, body and soul.

The Aura is luxuriously decadent and individually hand crafted in Ceramic. Purely relaxing, the Aura glows with a subtle LED light and offers a sleep mode, making this Aroma Diffuser the perfect bedside companion.

Thank you for purchasing the madebyzen™ Aura Aroma Diffuser.



SPECIFICATION

Product Size: Φ 130mm x 125.5mm

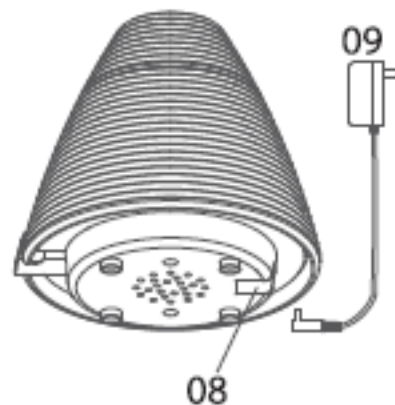
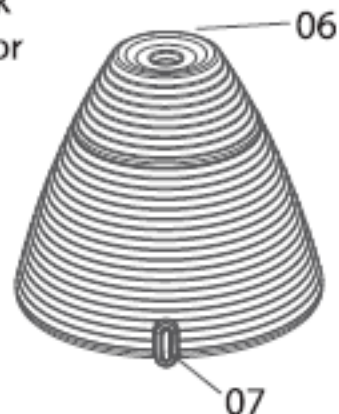
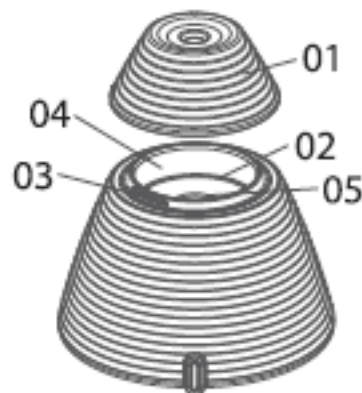
Voltage: DC 24V

Power: 12W

Water Capacity: 80ml



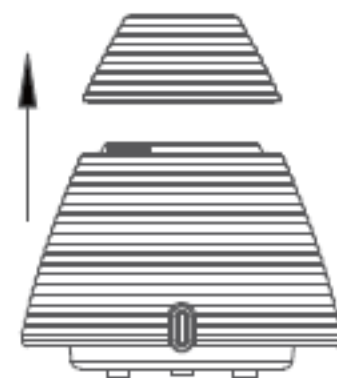
01. Cover
02. Max. water level line
03. Vent hole
04. Water tank
05. Ceramic disc
06. Mist outlet
07. ON/OFF button
08. DC jack
09. Adaptor



OPERATING PROCEDURE

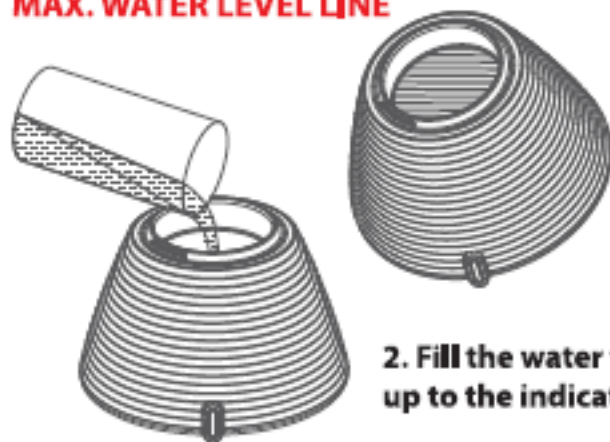
IMPORTANT NOTES BEFORE USE:

- **Place the Aura on an even surface**
- **Always fill with room temperature tap water**
- **If the unit is knocked over during operation, the liquid may spill out and get inside the Aroma Diffuser. In the event of this happening, unplug the power and empty the water. Let the unit stand for at least 3 days to dry.**
- **If you have any further problems, please contact your local distributor.**



1. Remove the cover.

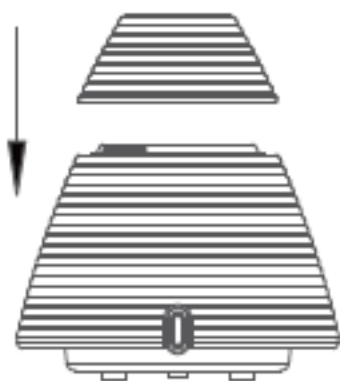
**DO NOT EXCEED THE
MAX. WATER LEVEL LINE**



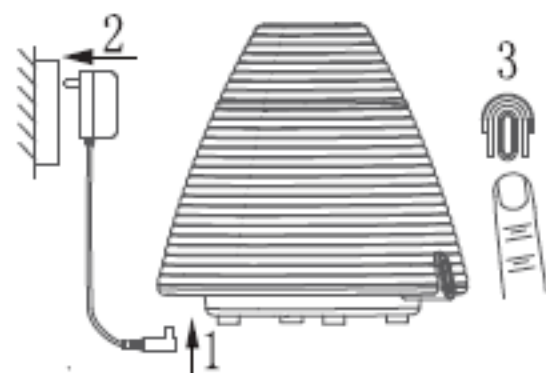
2. Fill the water tank with water, up to the indicated fill line.




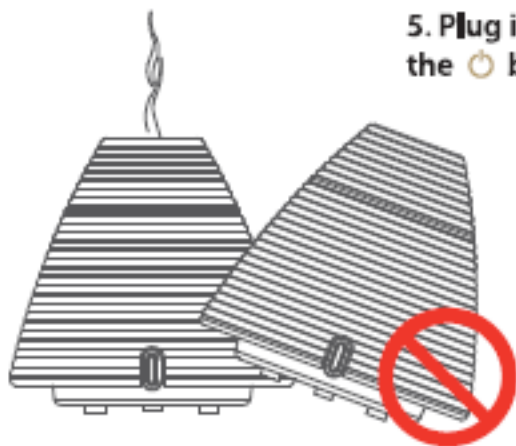
3. Add 3-5 drops of your favourite fragrance or essential oil into the water



4. Replace the cover

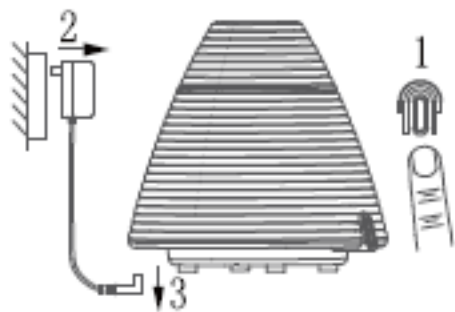


5. Plug in the adaptor and press the  button.

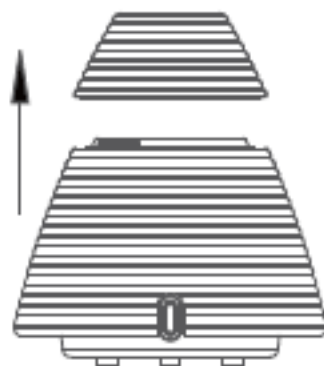


NOTE: Take care not to tilt the Aura once you have filled it with water. It must be kept level to avoid spillage of water, which could damage the unit.
Do not attempt to refill the Aura with water while it is switched on or plugged in.

MAINTENANCE



1. Press the  button to turn off the unit and unplug the adaptor

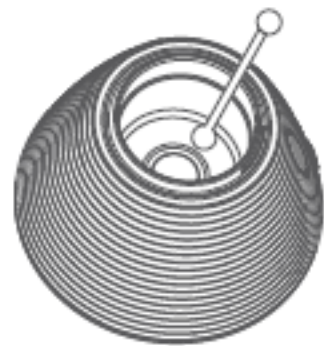


2. Remove the cover




3. Empty the water away from the vent hole

4. Use a clean swab or cloth to clean the unit.





TROUBLESHOOTING

Symptom	Possible Cause	Solution
No mist	Power supply is not connected	Plug the adaptor in and press the  button
	Insufficient water (Water is lower than the water level sensor)	Refill the water tank with tap water. Take care not to fill past the maximum water level line
	Water is exceeding the maximum water level line	Carefully pour out the excess water
	The mist outlet is blocked	Clean the mist outlet by thoroughly cleaning the inside of the cover with clean water
	The ceramic disc is aging after running for approx. 3000 hours	Please contact your local dealer for a replacement disc.

WARNING



In case of any abnormal observations such as smoke, peculiar smells or noise, stop using the unit immediately to avoid the risk of an accident such as fire or electric shock. You should unplug the adaptor immediately and contact your local dealer. Never wrap the adaptor or Aroma Diffuser with cloth or paper, as blocking the ventilation could increase the risk of a fire. Never attempt to disassemble or repair the product. In case of internal inspection or repair becoming necessary, please contact your local dealer.

Please keep the product out of the reach of children to avoid any risk of injury. Your Aroma Diffuser should be kept clean and dry when not in use.



IMPORTANT!

In accordance to WEEE Directive (Waste from Electrical and Electronic Equipment Directive) 2002/96/EC this equipment should not be disposed of in the normal waste stream.

Corrosive oils such as Citronella may cause damage to the ceramic disc if left in the reservoir when not operating the unit. This type of damage will not be covered under the warranty.